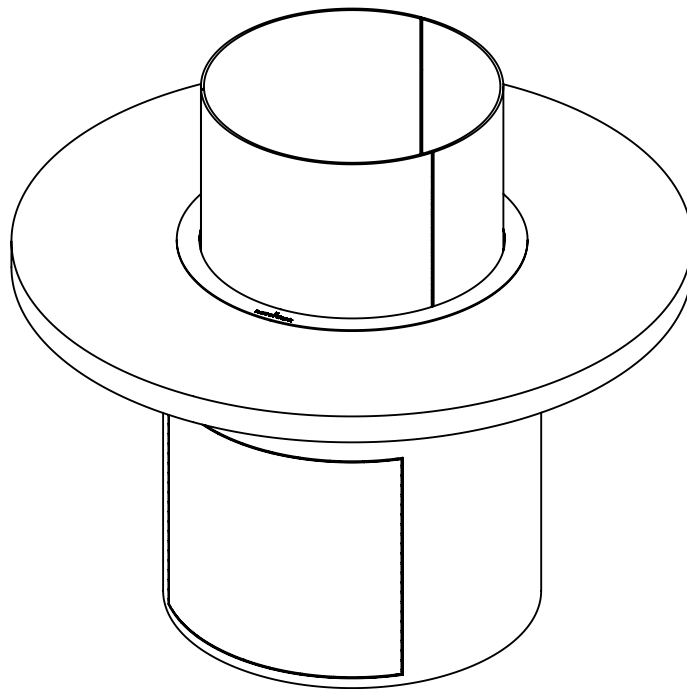
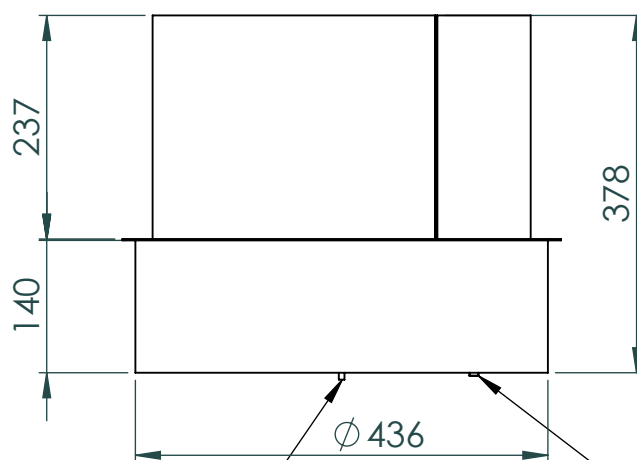
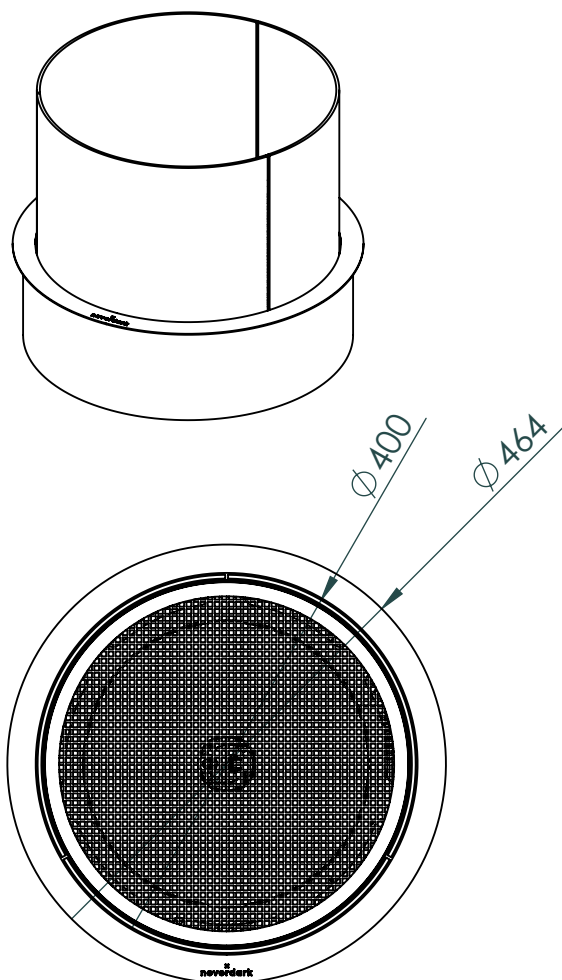


# NEVERDARK AROUND





Connecting the fuel canister

220V connection

