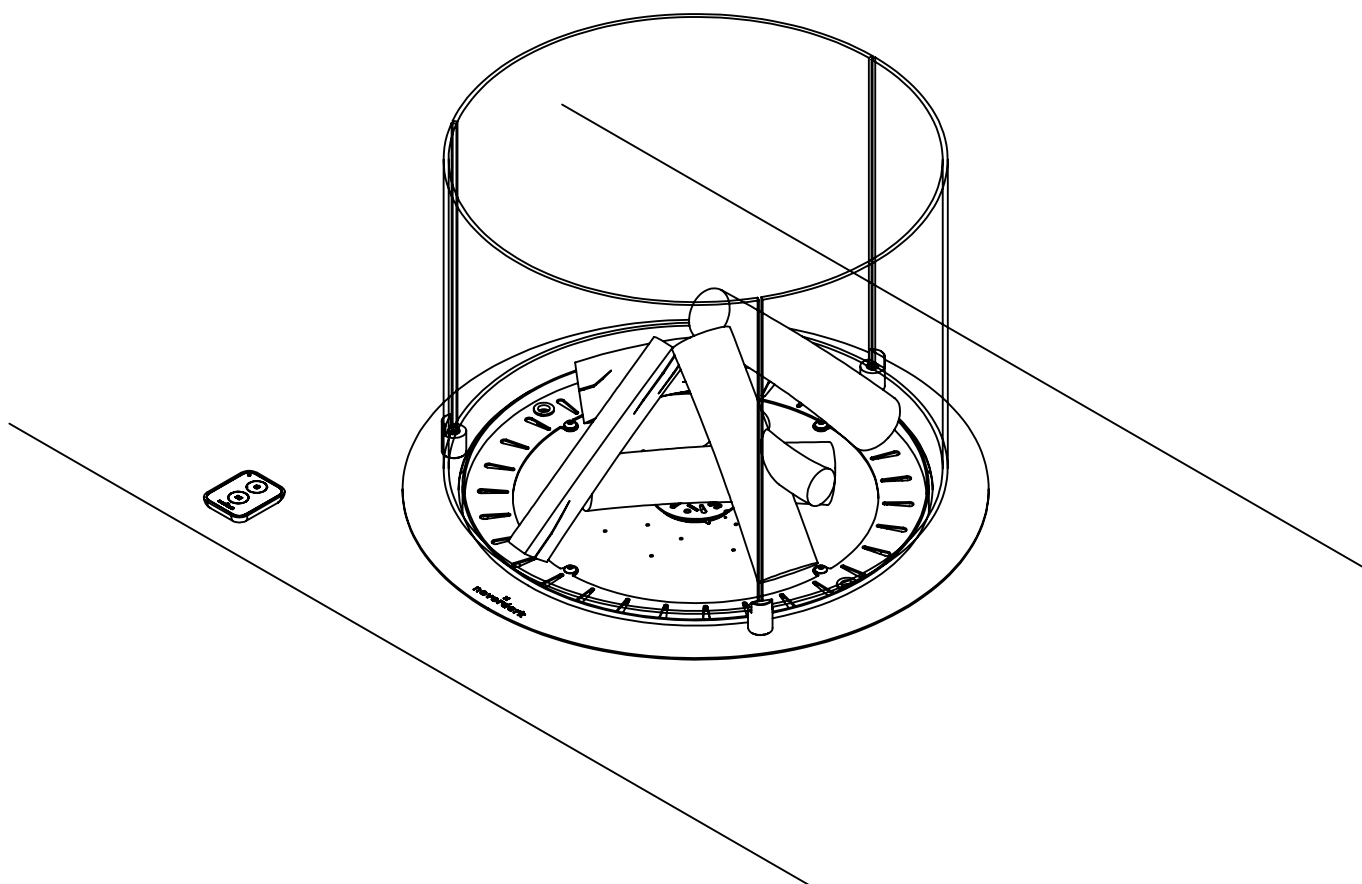
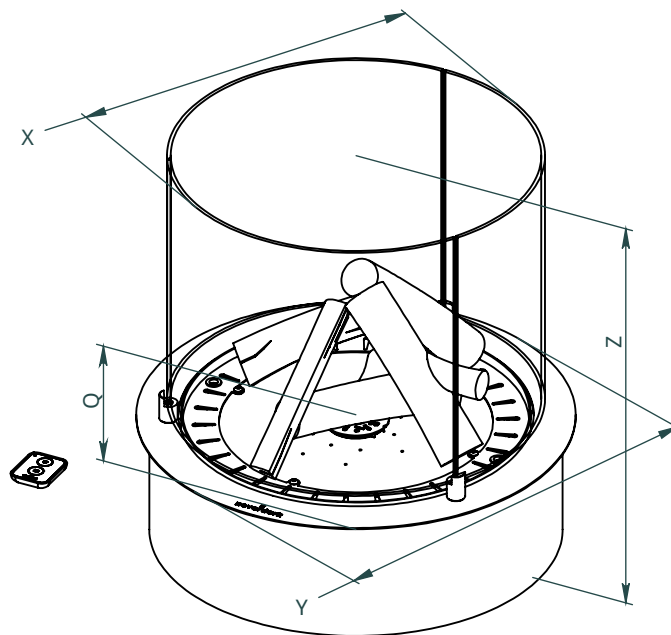


x
neverdark

Smart fireplace AROUND 400

Technical documentation

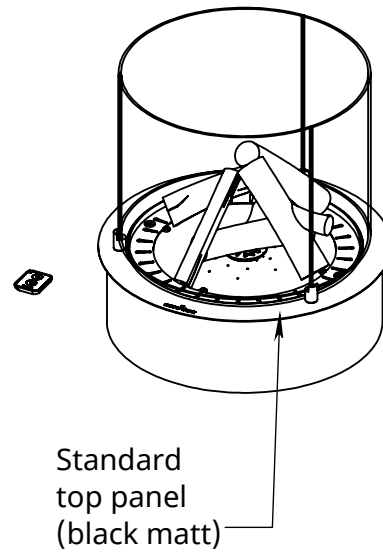




		X	Y	Z	Q	
Model	Code	Glass ϕ , mm	ϕ , mm	Overall height, mm	Height, mm	Weight, kg
Around 400	AR-400	400	465	467	150	16

- Automatic bioethanol fireplace Around 400
- Manufacturer: Neverdark LLC, Ukraine
- This document is part of the device
- For decorative and domestic use only

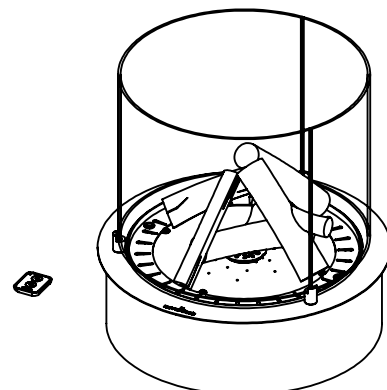
Standard configuration

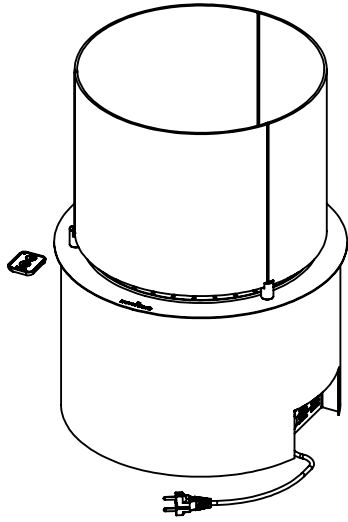


Fireplace	1pc
Decorative stones	1set
Ceramic firewood	1set
Fiber for the glow effect	1set
Remote Control	1pc
Glass	1pc
Glass holders set	3pc
Hexagonal wrench for glass holders	1pc
Universe canister cap	1pc
T-handles	2pc
Instructions	1pc
Warranty card	1pc
Packaging	1pc

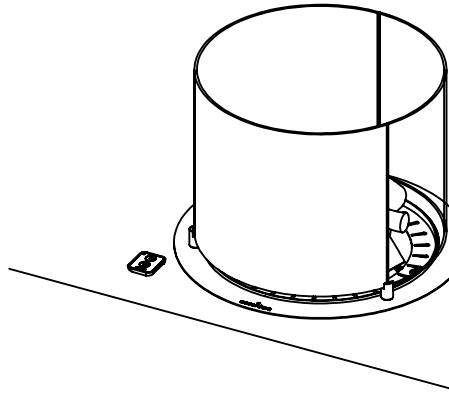
Available options

CT(R)	Custom Top (RAL)
RC	Additional remote control





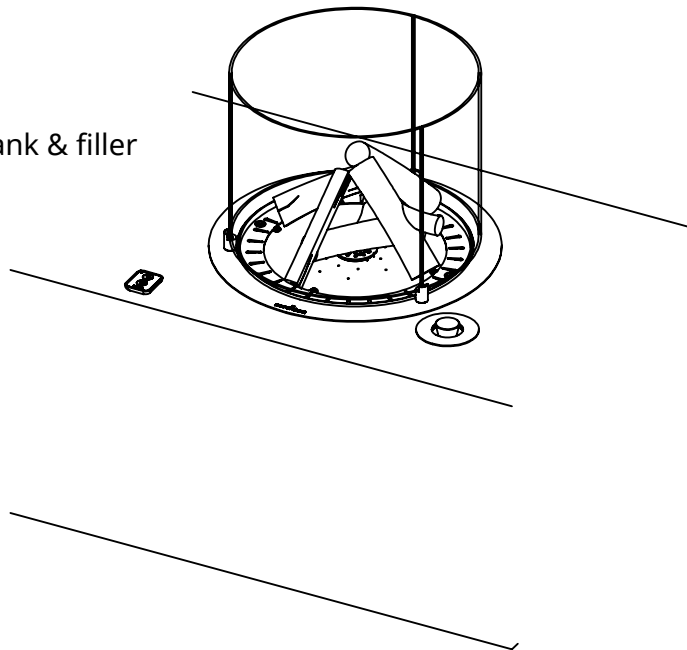
Around with tank

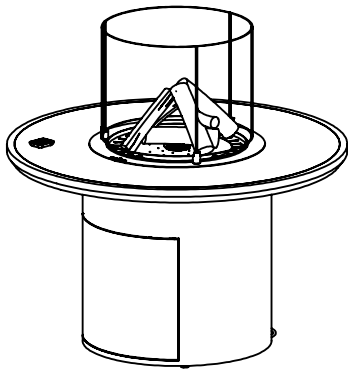


Around with tank & mini ARS

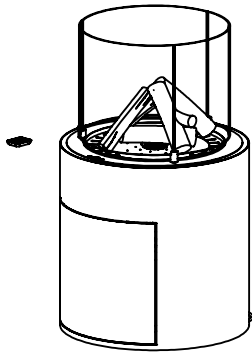


Around with tank & filler

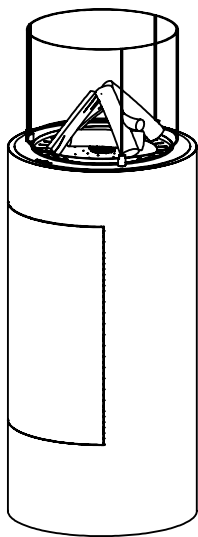




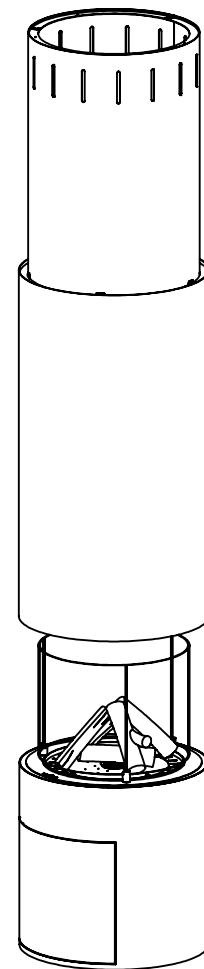
Coffe



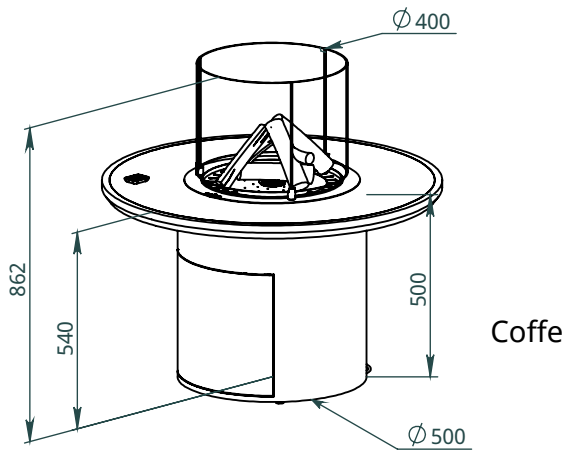
Single



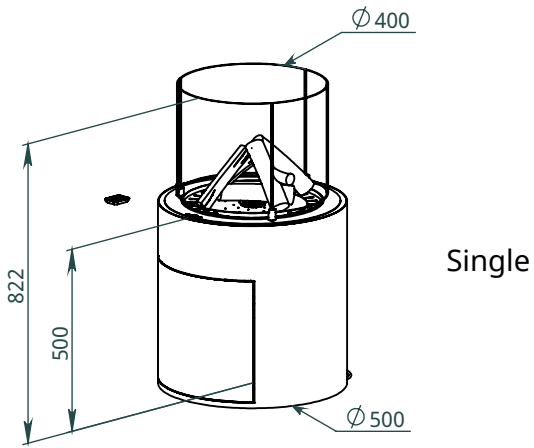
Patio



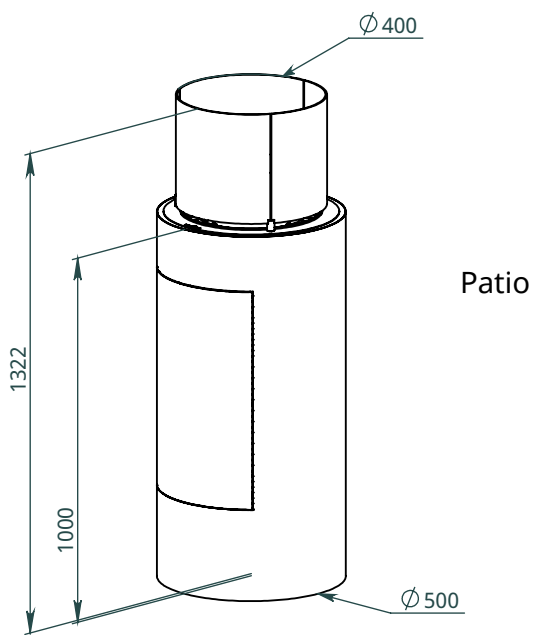
Tube



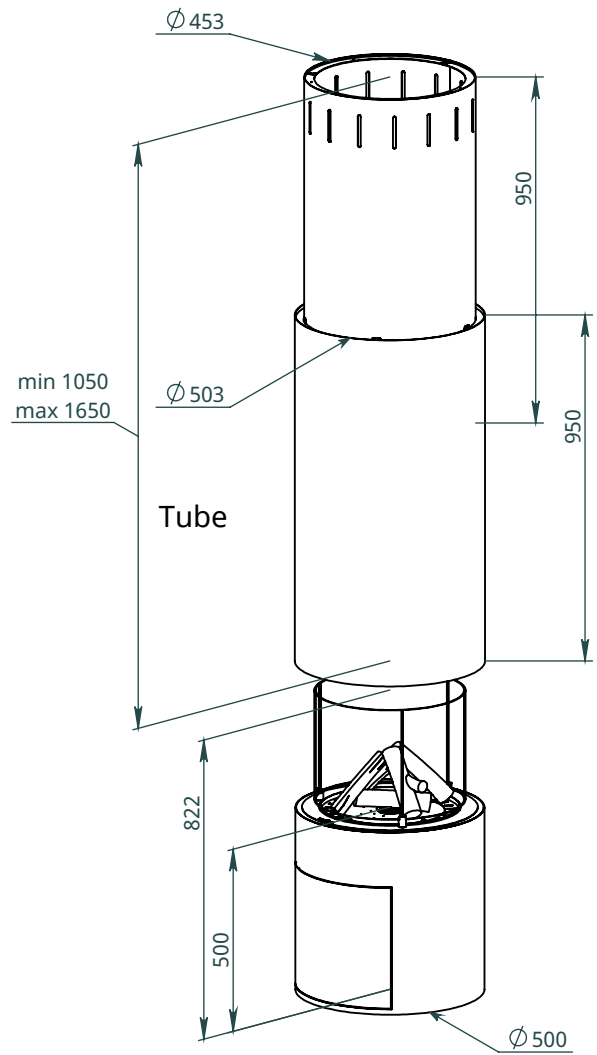
Coffe



Single

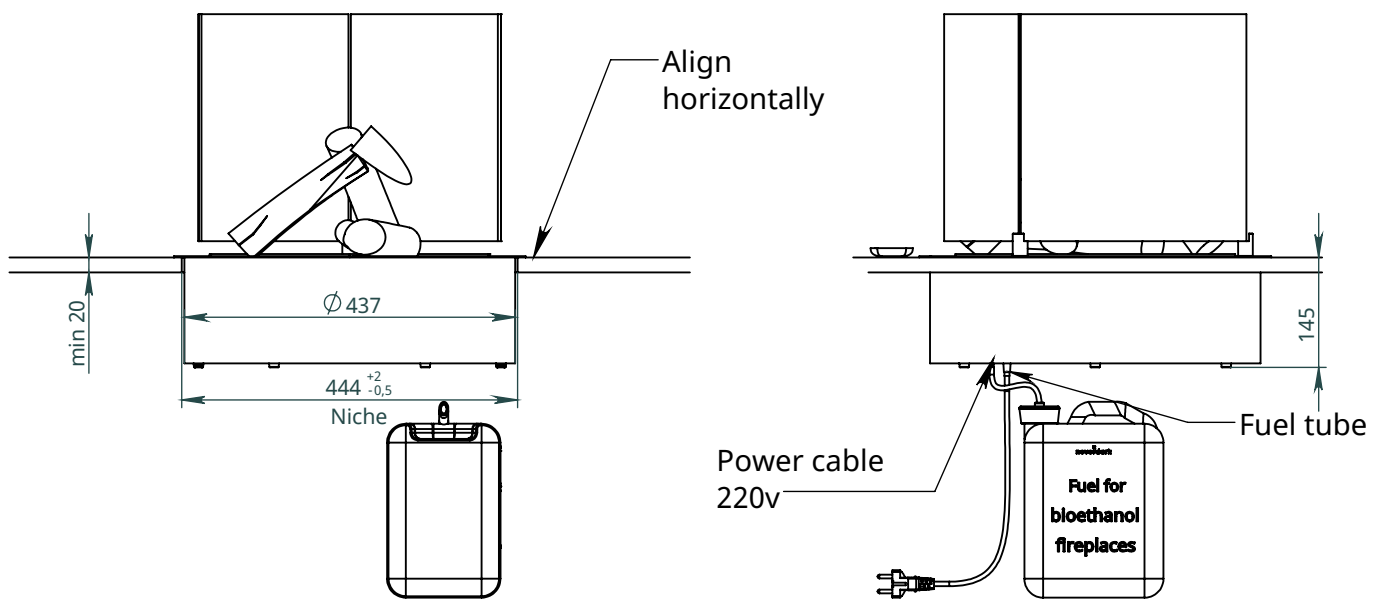


Patio

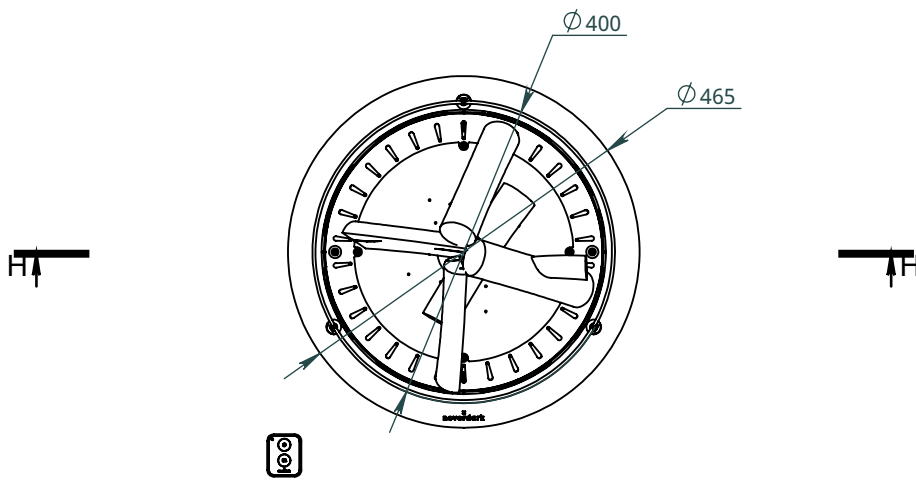


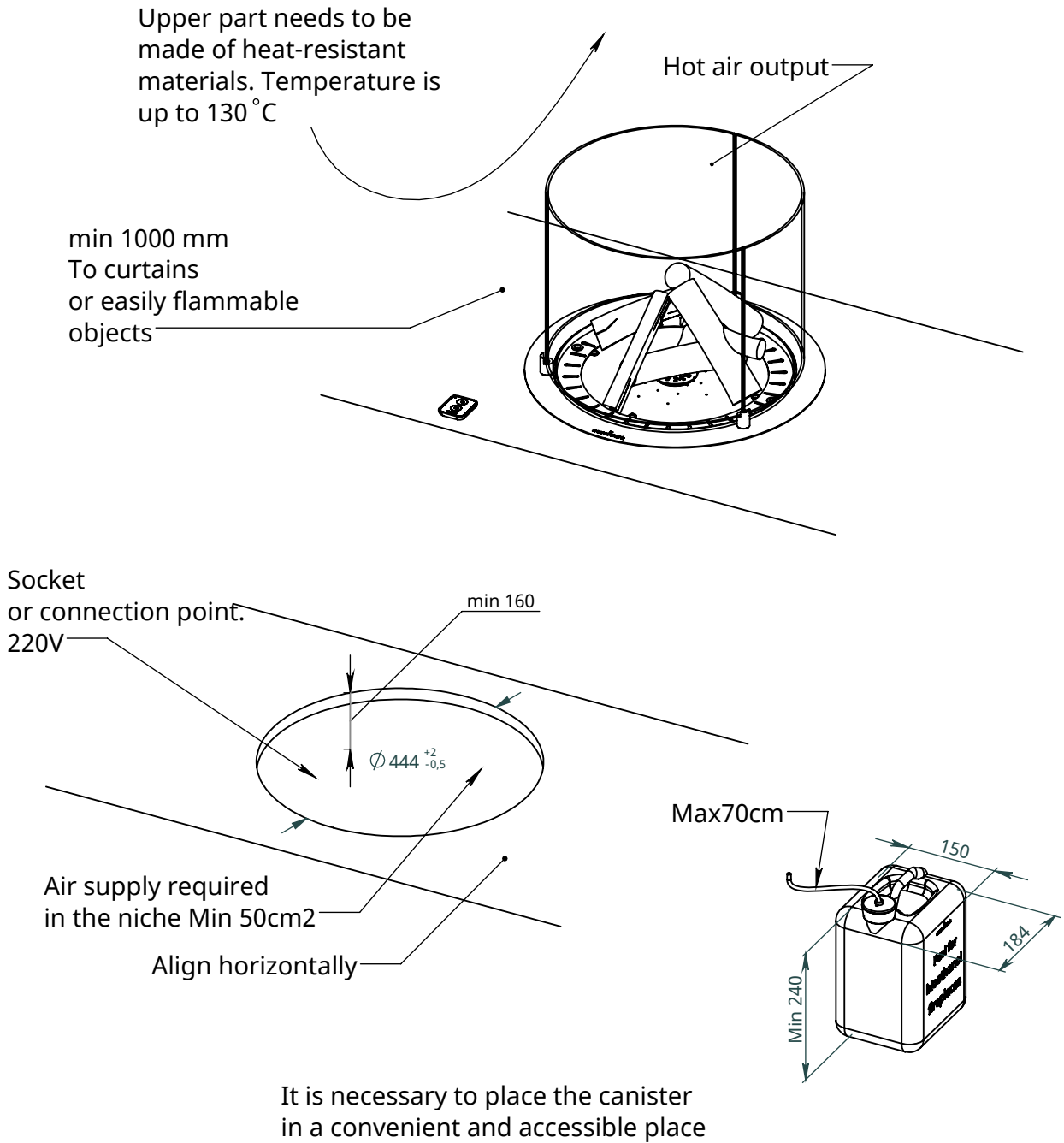
Tube

H-H



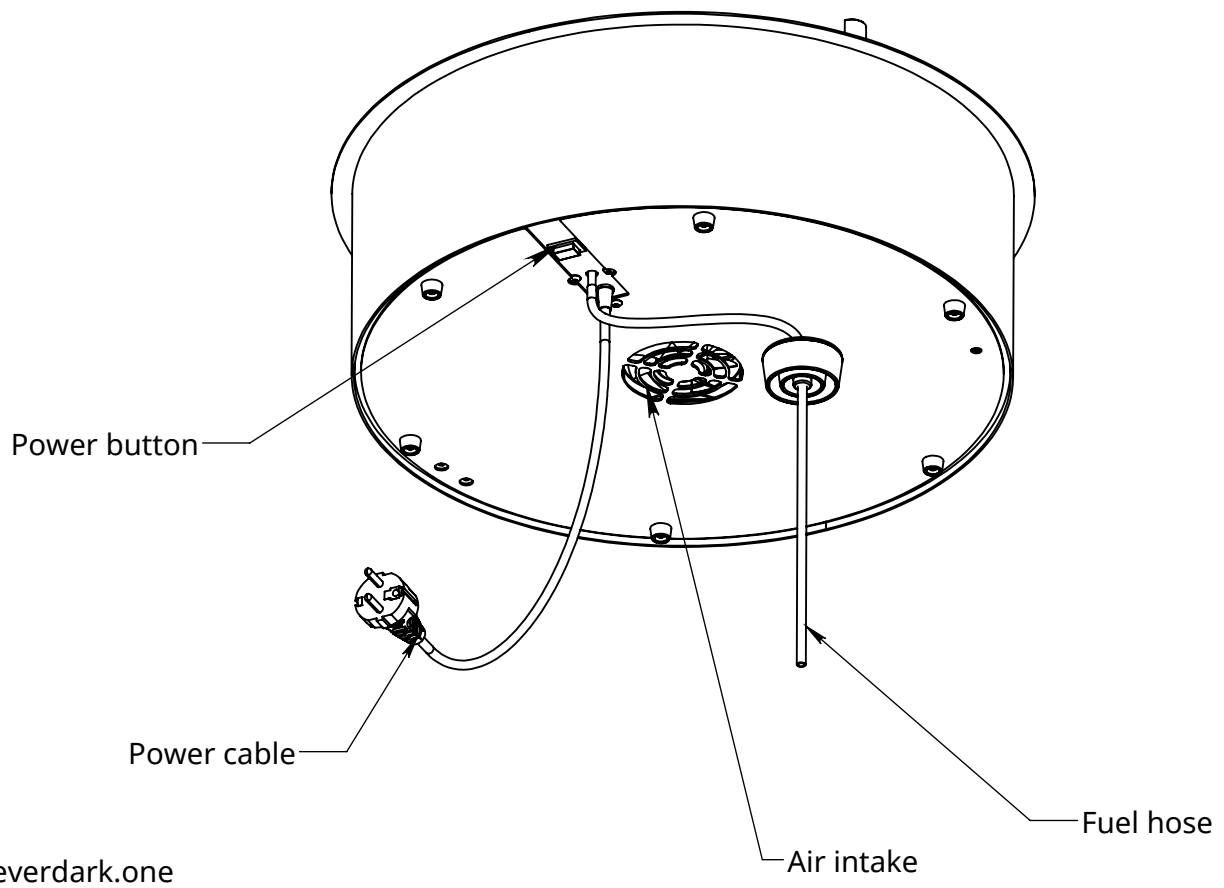
G-G





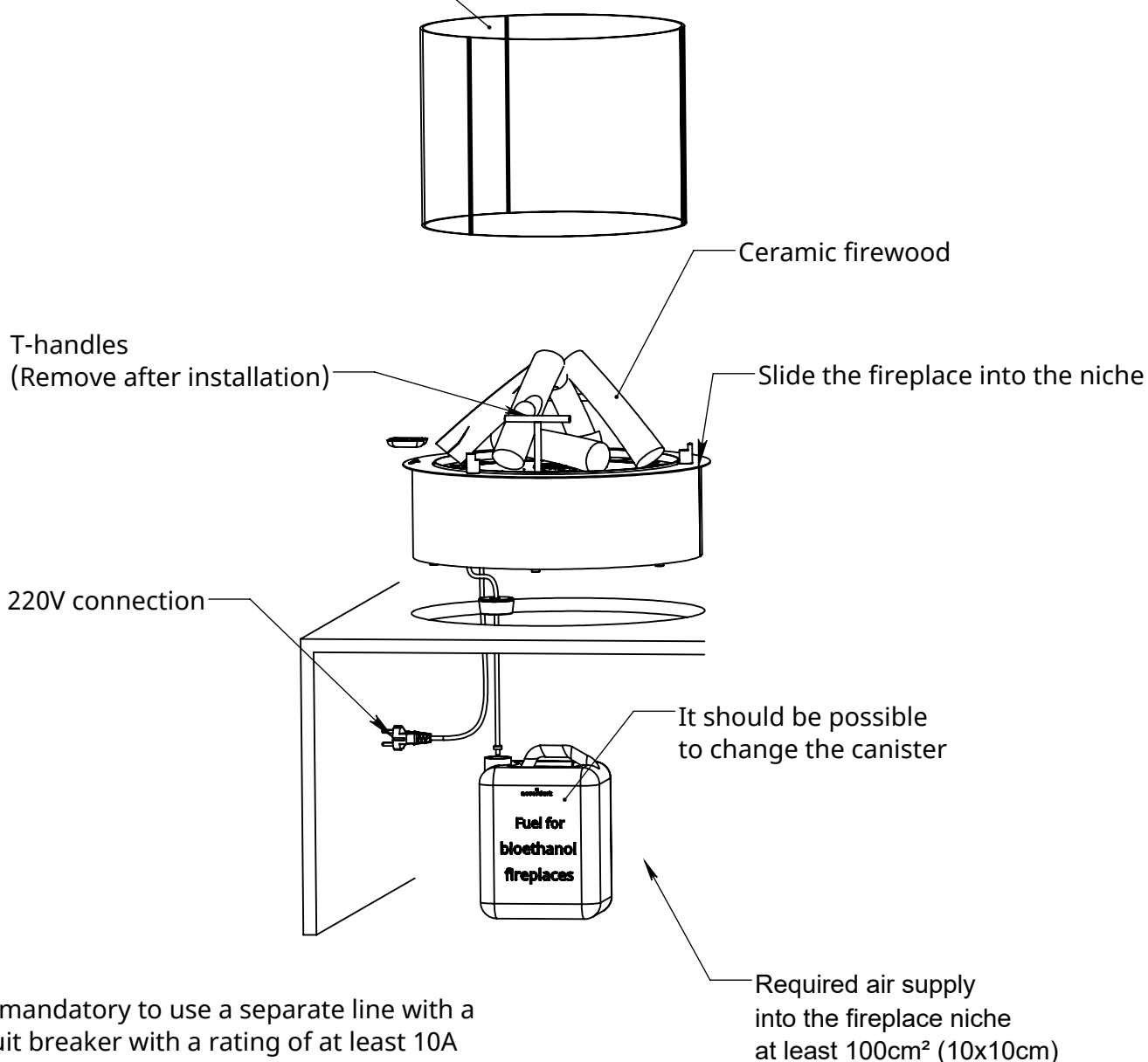
WARNING!

The manufacturer does not recommend placing objects above or next to the fireplace that are sensitive to high temperatures, as this can significantly shorten their service life. If the technical documentation were not followed, the manufacturer is not responsible for any damage to objects above or next to the fireplace resulting from exposure to high temperatures.



NEVER DARK Around Technical documentation

Screw in handles for mounting (unscrew after installation)



It is mandatory to use a separate line with a circuit breaker with a rating of at least 10A

WARNING!

- Installation of the fireplace not on a horizontal level can lead to malfunction of the fireplace and possible fuel spillage;
- Only a qualified specialist should connect the cable to the power grid;
- Ensure that the product is correctly installed and read the user manual supplied with it;
- Do not fill the fuel tank and do not turn on the fireplace without first reading the user manual;
- If it becomes necessary to remove the fireplace from niche, wait until the fuel has burned out completely and the display shows the message that the tank is empty, then disconnect the fireplace from the power supply and remove it from the niche.

Parameters	Fireplace
	Around 400
Tank volume, l	5
System volume, l	4,9
Consumption, l / h (Min / Max)	0,6 / 1,3
Average consumption, l / h (Min / Max)	1,0
Burning time, h (Min / Max)	3,8 / 8,3
Room size*, m ² (Min / Recommended)	35 / 88
Maximum power consumption, kW	0,55
Heat power, kW (Min / Max)	3,9 / 8,5
Air consumption, m ³ /h (Min / Max)	1,1 / 2,4
CO ₂ release, m ³ /h (Min / Max)	0,5 / 1,0

* Using a ventilation system

- Keep away from children;
- Ensure that the wall/table/floor on which you place the appliance can support its weight;
- Install only in a place protected from draughts;
- Do not cover top and side ventilation grids;
- Do not place flammable objects on the appliance;
- Keep a carbon dioxide fire extinguisher within sight;
- The use of a separate line with a fuse and/or circuit breaker is compulsory;
- For comfortable use of the fireplace it is necessary to ensure the supply of fresh air into the room and a removal of combustion products. It can be a ventilation extractor, recuperator or an opened window;
- Keep these installation instructions for the life of the fireplace.